

Service manual

Euromat B8-E2 400V 50Hz

Version: 2.02

Ident:

Series:

Pert-Number: 100068



Chapter

baking chamber Euromat B8-E2 400V 50Hz - V:
2600-450-000 - door Euromat B8-E2 400V 50Hz - V:
electric slide Euromat B8-E2 400V 50Hz - V:
frame Euromat B8-E2 400V 50Hz - V:
installation-room Euromat B8-E2 400V 50Hz - V:
102623 - operating unit IS 600 Euromat B8-E2 400V 50Hz - V:
piping ProClean (option ProClean) Euromat B8-E2 400V 50Hz - V:

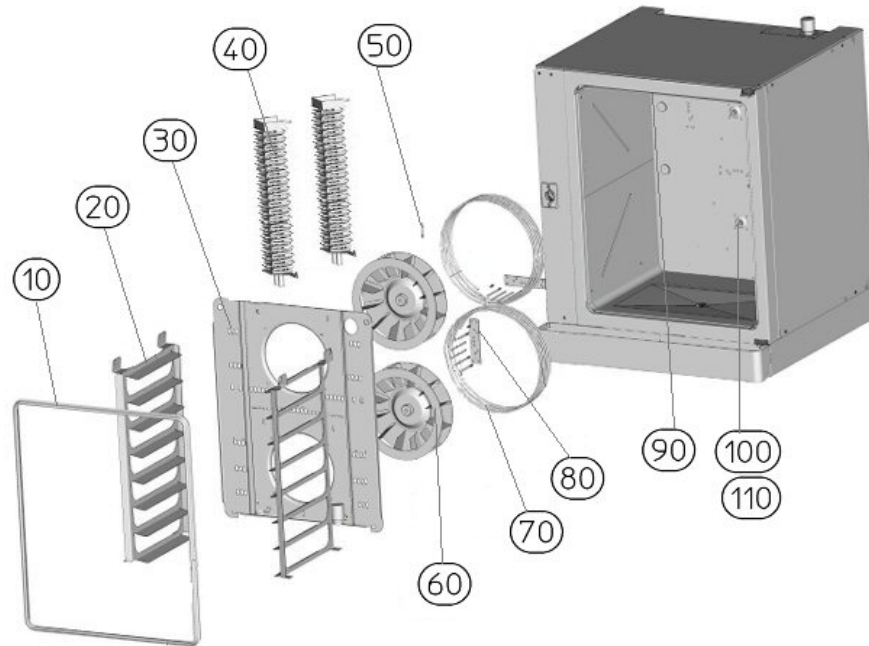
Service manual baking chamber Euromat B8-E2 400V 50Hz

Version:

Ident:

Series:

Pert-Number:



Chapter

102433 - defrosting procedure (cascade) Euromat B8-E2 400V 50Hz - V:

2200-200-030 - service-kit for mantle thermocouple (conversions-kit) Euromat B8-E2 400V 50Hz - V:

tray runners E2 bakery Euromat B8-E2 400V 50Hz - V:

100129 - cans holding ring

100149 - snap plate

26291 - blind plug stainless steel

38725 - drain seal

38740 - seal for blind plug

[010] - 38604 - door seal

[030] - 30040 - ventilation cover

[050] - 29738 - ProClean jets complete

[060] - 33862 - fan wheel

[070] - 38146 - heater 9000 W

[071] - 9030-710-003 - heater 7 kW

[080] - 36010 - seal chamber heater; Attention replaced by 9800-100-001

[090] - 36287 - thermo element Typ K

[100] - 02524 - steam pipe connection

[110] - E30536 - steaming pipe

Part: cans holding ring

Pert-Number: 100129



Part: snap plate

Pert-Number: 100149



Part: blind plug stainless steel

Pert-Number: 26291

The blind plug is applied for devices without ProClean.



Part: drain seal

Pert-Number: 38725



Part: seal for blind plug

Pert-Number: 38740

This seal is used for devices with blind plug, that means without ProClean. The seal has to be changed from the baking chamber.



Part: door seal

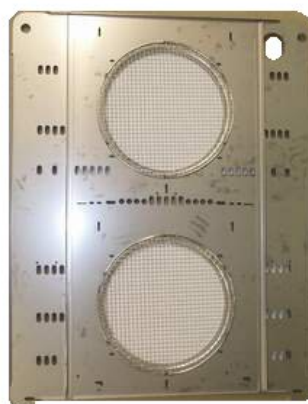
Pert-Number: 38604

The door seal is glued with transparent heat resistant silicone (order number 60375) around the radii on the corners and long distances in between. Should the door seal be exchanged then all the silicone must be removed by using a knife. Clean the door tracks and any silicone particles. Make sure when placing the new seal that it is completely in the frame. The seal needs to be pressed around the connecting piece on the top and bottom and in front of the oven with a broach so that it can "breathe". The door seal is a spare part and can be ordered under the number 38604 as cut goods 2,4 m long. Please notice the assembly instructions how to replace the seal.



Part: ventilation cover

Pert-Number: 30040



Part: ProClean jets complete

Pert-Number: 29738

Depending on the type of cleaning system, either fresh water or fresh water with liquid Pro Clean Cleaner/Rinse will be sprayed by the ProClean jets into the oven. The rotating motion of the jet head will evenly spray the liquid around the oven. Please notify your customer to only use the recommended cleaning and rinse agents from the manufacturer. Check that the ProClean jets easily spray. Please note that in the Dibas series only short jets are used.



Part: fan wheel

Pert-Number: 33862

The manufacturer tested the fan wheel for imbalance. Keep away any direct heat from the fan wheel for e.g., Blow lamps, otherwise the wheel will not run smoothly. An imbalance of the wheel will damage the motor and yield unsatisfactory baking results. The fan wheel is attached to the motor shaft and a fan wheel removal device must be used when replacing it. At any sign of imbalance the fan wheel must be replaced to prevent further damage.



Part: heater 9000 W

Pert-Number: 38146

The ring heater is attached by two securing loops on the welded bolts on the oven wall with two nuts. The heater flange is secured with 5 hexagonal screws. The ring heater can be replaced. When replacing the ring heater the seal must be also be replaced. Work with thread free hexagonal screws to prevent damage that may be caused by heat. Read the "part documents" for this article.



Part: heater 7 kW

Pert-Number: 9030-710-003



Part: seal chamber heater; Attention replaced by 9800-100-001

Pert-Number: 36010



Part: thermo element Typ K

Pert-Number: 36287

=> replaced by 104610 The thermo element type K is used as an oven probe. The oven probe controls the oven temperature. The working range is between 30 - 250°C. Please note the polarity (+/-) when replacing the thermo elements. To prevent false measurements the probe must be inserted as far as it will go. Ensure that the oven probe feeds through the fan cover into the oven. The probe must not be in contact with the fan cover - false measurements or even deactivating the safety chain may be the result of coming in contact. If the probe is too short and does not fit into the oven, a probe extension is necessary. Please notice the assembly instructions MH_14-0511-017.



Part: steam pipe connection

Pert-Number: 02524

Depending on the water hardness the steaming supports must be descaled on a regular basis. Recommend to your customer to use a water softening system. When installing it is important that the steaming supports be secured in the correct direction showing in the direction of the "Fan wheel centre".



Part: steaming pipe

Pert-Number: E30536

The steaming pipe sprays the pre-set amount of water from the operator directly in the middle of the fan wheel. By the turning of the fan wheel the moisture is spread evenly around the baking chamber and enhances shine and volume to the baking product. Steaming is always right after loading the oven. When installing the steaming pipe note the following! 1. Screw the counter nut to the middle of the thread. Otherwise the pipe will be fastened too deeply into the supports. The water flow is minimized or completely blocked. 2. Control the firm placement. Always use tools for installation. Read the "Documents to the Article".



Service manual defrosting procedure (cascade) Euromat B8-E2 400V 50Hz

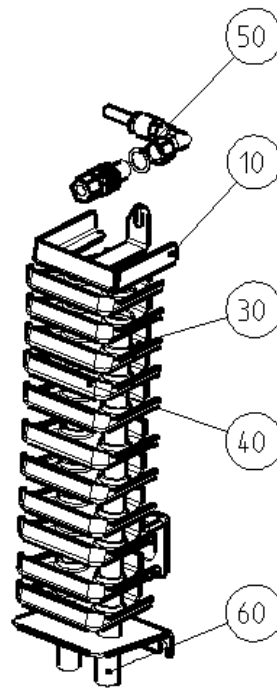
Version:

Ident:

Series:

Pert-Number: 102433

This part can be ordered.

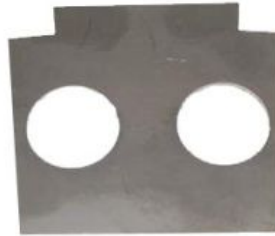


Chapter

- 09417 - bonding plate
- 102425 - cascade bracket
- 102427 - cascade holding tray
- 102922 - cascade segment
- 42279 - sealing ring

Part: bonding plate

Pert-Number: 09417



Part: cascade bracket

Pert-Number: 102425

Part: cascade holding tray

Pert-Number: 102427



Part: cascade segment

Pert-Number: 102922



Part: sealing ring

Pert-Number: 42279



Service manual service-kit for mantle thermocouple (conversions-kit) Euromat B8- E2 400V 50Hz

Version:

Ident:

Series:

Pert-Number: 2200-200-030

This part can be ordered.

Chapter

- [010] - 104610 - thermo element typ K
- [020] - 105430 - compression ring fitting
- [030] - 33560 - sealing ring copper
- [040] - 36105 - counter nut

Part: thermo element typ K

Pert-Number: 104610

The thermo element type K is used as an oven probe. The oven probe controls the oven temperature. The working range is between 30 - 250°C. Please note the polarity (+/-) when replacing the thermo elements. To prevent false measurements the probe must be inserted as far as it will go. Ensure that the oven probe feeds through the fan cover into the oven. The probe must not be in contact with the fan cover - false measurements or even deactivating the safety chain may be the result of coming in contact. If the probe is too short and does not fit into the oven, a probe extension is necessary. Read the information to this article.



Part: compression ring fitting

Pert-Number: 105430



Part: sealing ring copper

Pert-Number: 33560



Part: counter nut

Pert-Number: 36105



Service manual

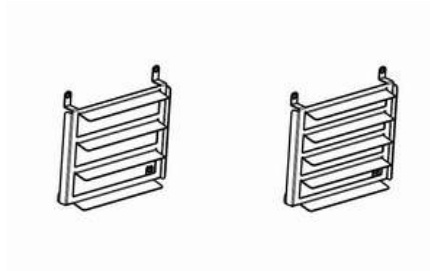
tray runners E2 bakery Euromat B8-E2 400V 50Hz

Version:

Ident:

Series:

Pert-Number:



Chapter

103261 - tray runners right, 10 trays (ATV)

103262 - tray runners left, 10 trays (ATV)

104490 - tray runners right, 8 trays (steam pipe / ATV)

104491 - tray runners left, 8 trays (steam pipe / ATV)

104494 - tray runners right, 10 trays (steam pipe)

104495 - tray runners left, 10 trays (steam pipe)

Part: tray runners right, 10 trays (ATV)

Pert-Number: 103261

Part: tray runners left, 10 trays (ATV)

Pert-Number: 103262

Part: tray runners right, 8 trays (steam pipe / ATV)

Pert-Number: 104490

Part: tray runners left, 8 trays (steam pipe / ATV)

Pert-Number: 104491

Part: tray runners right, 10 trays (steam pipe)

Pert-Number: 104494

Part: tray runners left, 10 trays (steam pipe)

Pert-Number: 104495

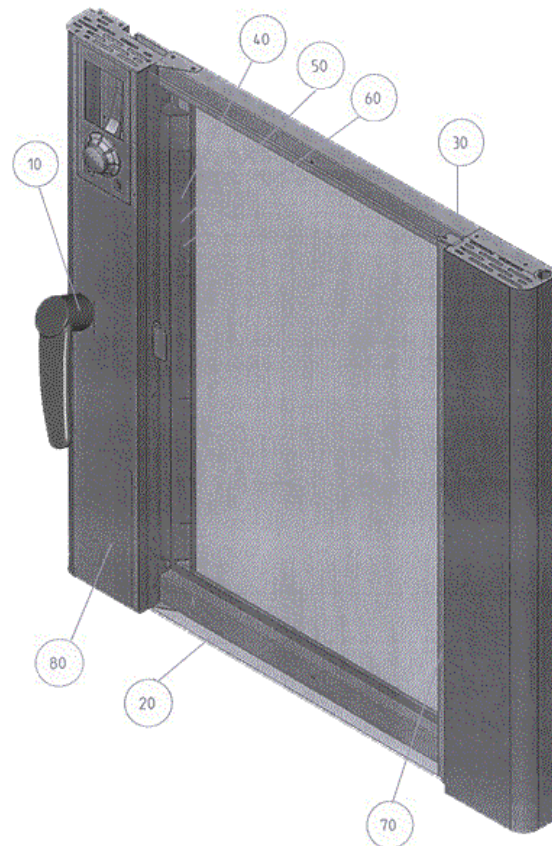
Service manual door Euromat B8-E2 400V 50Hz

Version:

Ident:

Series:

Pert-Number: 2600-450-000



Chapter

door handle Euromat B8-E2 400V 50Hz - V:
holm panel Euromat B8-E2 400V 50Hz - V:
sealing pane Euromat B8-E2 400V 50Hz - V:
viewing glass Euromat B8-E2 400V 50Hz - V:

[040] - 38642 - halogen sockets
[050] - 101731 - halogen lamp 12V 10W
[060] - 34312 - porcelain clamp
[061] - 36438 - MLF screw ISO 7380 M5x12
[070] - 42668 - door spring

Part: halogen sockets

Pert-Number: 38642



Part: halogen lamp 12V 10W

Pert-Number: 101731

When changing the halogen lamps please make sure that the lamps do not come in contact with hand sweat. Hand sweat will burn into the glass bulb and reduces the life of the halogen lamp. Please use the appropriate gloves.



Part: porcelain clamp

Pert-Number: 34312

The porcelain clamp can not be chipped or damaged. Ensure the halogen lamps are secure.



Part: MLF screw ISO 7380 M5x12

Pert-Number: 36438



Part: door spring

Pert-Number: 42668



Service manual door handle Euromat B8-E2 400V 50Hz

Version:

Ident:

Series:

Pert-Number:



Chapter

103537 ersetzt durch 2500-402-036 - door handle left complete Euromat B8-E2 400V 50Hz - V:
103476 ersetzt durch 2500-402-037 - door handle right complete Euromat B8-E2 400V 50Hz - V:

Service manual

door handle left complete Euromat B8-E2 400V 50Hz

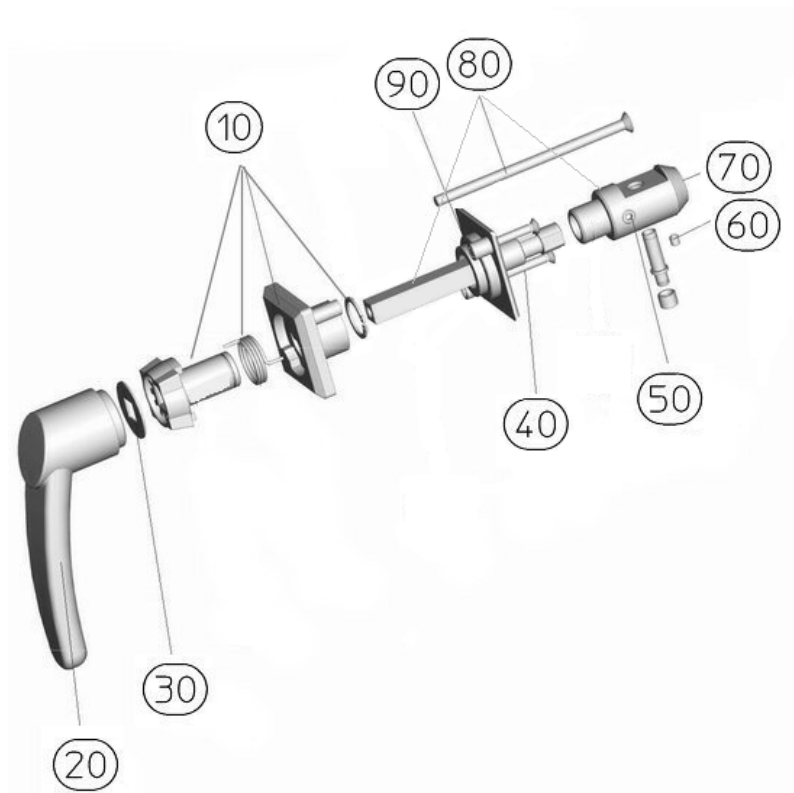
Version:

Ident:

Series:

Pert-Number: 103537 ersetzt durch 2500-402-036

This part can be ordered.



Chapter

104374 - handle element IS left complete assembled Euromat B8-E2 400V 50Hz - V:
2500-402-045 - service-kit axis/sash fastener IS Euromat B8-E2 400V 50Hz - V:

- [020] - 103682 -
- [030] - 103693 - separator disk
- [040] - 42313 - screw M5 x 40 DIN966
- [050] - 42725 - threaded pin M8x8 DIN 913
- [060] - 103065 - threaded pin M5x6 DIN 913
- [070] - 42384 -
- [090] - 38152 - counterpiece

Part:

Pert-Number: 103682



Part: separator disk

Pert-Number: 103693



Part: screw M5 x 40 DIN966

Pert-Number: 42313



Part: threaded pin M8x8 DIN 913

Pert-Number: 42725



Part: threaded pin M5x6 DIN 913

Pert-Number: 103065



Part:

Pert-Number: 42384



Part: counterpiece

Pert-Number: 38152



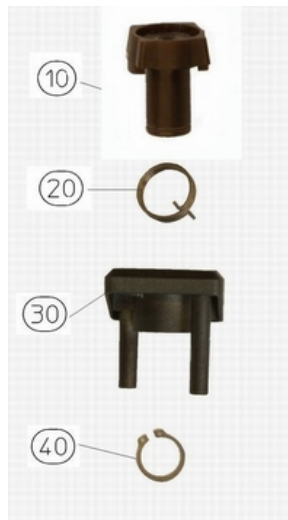
Service manual handle element IS left complete assembled Euromat B8-E2 400V 50Hz

Version:

Ident:

Series:

Pert-Number: 104374



Chapter

[010] - 103684 - connector piece

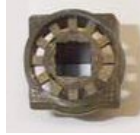
[020] - 42371 - door handle spring, left-hinged

[030] - 42377 - support

[040] - 42692 - retainer ring

Part: connector piece

Pert-Number: 103684



Part: door handle spring, left-hinged

Pert-Number: 42371

Note when installing if a right or left door spring should be used. The door spring can not be damaged. Adjust the spring when first installing to the works position. Incorrect positioning causes spring hardening.



Part: support

Pert-Number: 42377



Part: retainer ring

Pert-Number: 42692

To install/remove the retaining ring use a retaining ring gripper.



Service manual

service-kit axis/sash fastener IS Euromat B8-E2 400V 50Hz

Version:

Ident:

Series:

Pert-Number: 2500-402-045

This part can be ordered.



Chapter

[010] - 2500-402-044 - sash fastener

[020] - 2500-402-031 - axle IS

[030] - 42718 - screw-sash fastener

Part: sash fastener

Pert-Number: 2500-402-044

The sash fastener setting screw regulates the door contact (door end switch). First the grub screw must be loosened on the side of the cone. Then adjust the setting screw. Once adjusted put 1-2 drops of screw lack on the grub screw to avoid shifting. The sash fastener can not be too tight or too loose. TIP: Use a piece of paper, slide it between the door and the door seal. The paper should easily come out of the closed door when pulled.



Part: axle IS

Pert-Number: 2500-402-031

The axel fastens the sash fastener. Note when installing the axel that the flat side shows direction sash fastener to the threaded grub screw.



Part: screw-sash fastener

Pert-Number: 42718



Service manual

door handle right complete Euromat B8-E2 400V 50Hz

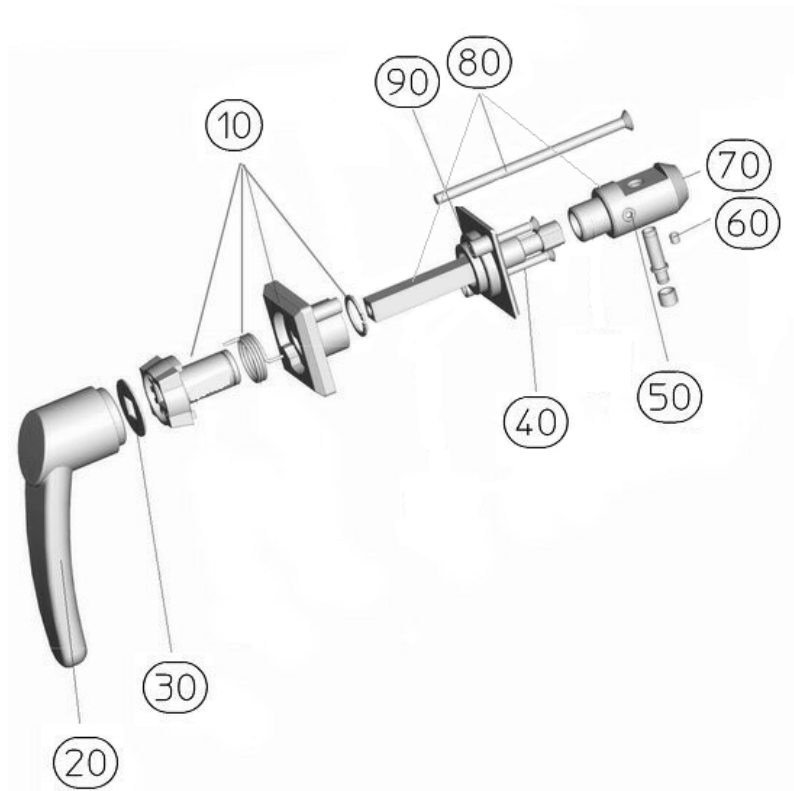
Version:

Ident:

Series:

Pert-Number: 103476 ersetzt durch 2500-402-037

This part can be ordered.



Chapter

42374 - handle element IS right complete assembled Euromat B8-E2 400V 50Hz - V:
2500-402-045 - service-kit axis/sash fastener IS Euromat B8-E2 400V 50Hz - V:

- [020] - 103682 -
- [030] - 103693 - separator disk
- [040] - 42313 - screw M5 x 40 DIN966
- [050] - 42725 - threaded pin M8x8 DIN 913
- [060] - 103065 - threaded pin M5x6 DIN 913
- [070] - 42384 -
- [090] - 38152 - counterpiece

Part:

Pert-Number: 103682



Part: separator disk

Pert-Number: 103693



Part: screw M5 x 40 DIN966

Pert-Number: 42313



Part: threaded pin M8x8 DIN 913

Pert-Number: 42725



Part: threaded pin M5x6 DIN 913

Pert-Number: 103065



Part:

Pert-Number: 42384



Part: counterpiece

Pert-Number: 38152



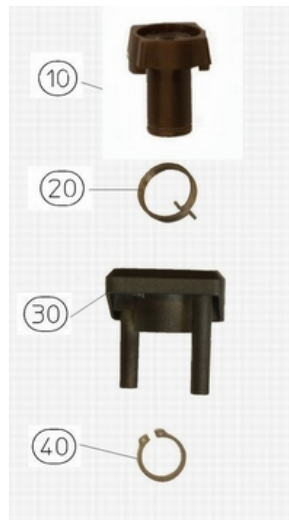
Service manual handle element IS right complete assembled Euromat B8-E2 400V 50Hz

Version:

Ident:

Series:

Pert-Number: 42374



Chapter

42374 - handle element IS right compl. assembled

[010] - 103684 - connector piece

[020] - 42373 - door handle spring, right-hinged

[030] - 42377 - support

[040] - 42692 - retainer ring

Part: handle element IS right compl. assembled

Pert-Number: 42374



Part: connector piece

Pert-Number: 103684



Part: door handle spring, right-hinged

Pert-Number: 42373

Note when installing if a right or left door spring should be used. The door spring can not be damaged. Adjust the spring when first installing to the works position. Incorrect positioning causes spring hardening.



Part: support

Pert-Number: 42377



Part: retainer ring

Pert-Number: 42692

To install/remove the retaining ring use a retaining ring gripper.



Service manual

service-kit axis/sash fastener IS Euromat B8-E2 400V 50Hz

Version:

Ident:

Series:

Pert-Number: 2500-402-045

This part can be ordered.



Chapter

[010] - 2500-402-044 - sash fastener

[020] - 2500-402-031 - axle IS

[030] - 42718 - screw-sash fastener

Part: sash fastener

Pert-Number: 2500-402-044

The sash fastener setting screw regulates the door contact (door end switch). First the grub screw must be loosened on the side of the cone. Then adjust the setting screw. Once adjusted put 1-2 drops of screw lack on the grub screw to avoid shifting. The sash fastener can not be too tight or too loose. TIP: Use a piece of paper, slide it between the door and the door seal. The paper should easily come out of the closed door when pulled.



Part: axle IS

Pert-Number: 2500-402-031

The axel fastens the sash fastener. Note when installing the axel that the flat side shows direction sash fastener to the threaded grub screw.



Part: screw-sash fastener

Pert-Number: 42718



Service manual

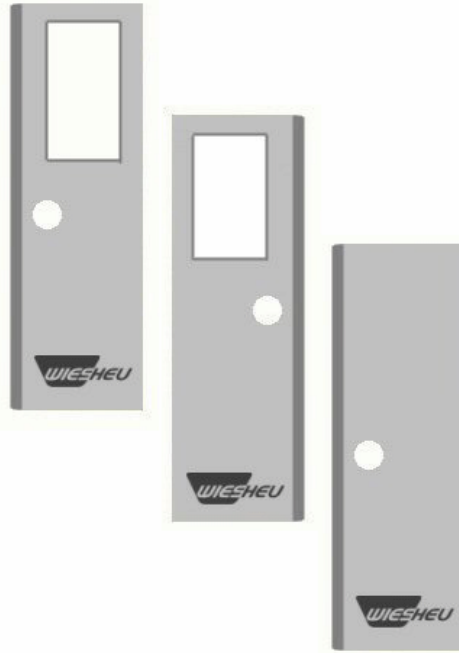
holm panel Euromat B8-E2 400V 50Hz

Version:

Ident:

Series:

Pert-Number:

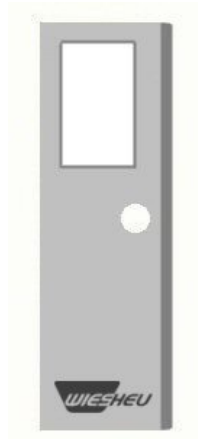


Chapter

- 102802 - holm panel EUROMAT B8/M16-E2 left
- 102803 - holm panel EUROMAT B8/M16-E2 right
- 102804 - holm panel EUROMAT B8/M16-E2 without cutout

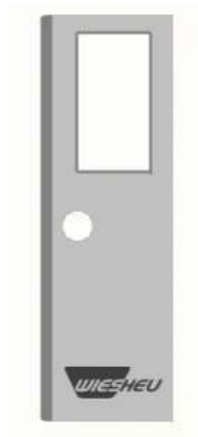
Part: holm panel EUROMAT B8/M16-E2 left

Pert-Number: 102802



Part: holm panel EUROMAT B8/M16-E2 right

Pert-Number: 102803



Part: holm panel EUROMAT B8/M16-E2 without cutout

Pert-Number: 102804

Service manual sealing pane Euromat B8-E2 400V 50Hz

Version:

Ident:

Series:

Pert-Number:

Chapter

102798 - door EUROMAT E200A

Part: door EUROMAT E200A

Pert-Number: 102798



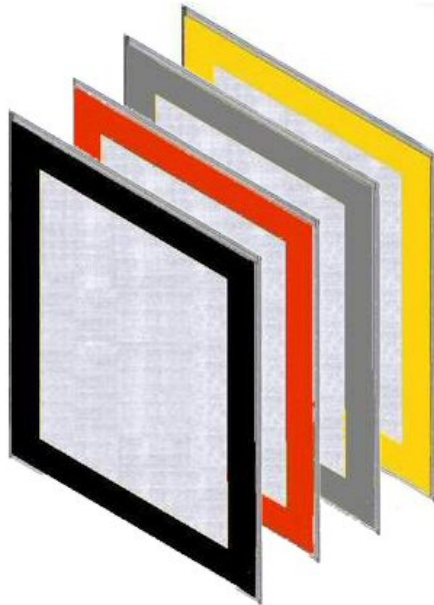
Service manual viewing glass Euromat B8-E2 400V 50Hz

Version:

Ident:

Series:

Pert-Number:



Chapter

- 102878 - door glass outside B8/M16-E2 grey
- 102880 - door glass outside B8/M16 black
- 103281 - door glass outside B8/M16-E2 black
- 103481 - door glass outside B8/M16-E2 yellow
- 25028 - ball catch MS

Part: door glass outside B8/M16-E2 grey

Pert-Number: 102878

Part: door glass outside B8/M16 black

Pert-Number: 102880

Part: door glass outside B8/M16-E2 black

Pert-Number: 103281

Part: door glass outside B8/M16-E2 yellow

Pert-Number: 103481

Part: ball catch MS

Pert-Number: 25028

The ball catch is a holder between the sealing and viewing pane. The ball catch can not be justified and on one side the sealing pane is glued with heat resistant Pactan. The tension level can be adjusted with a screwdriver.



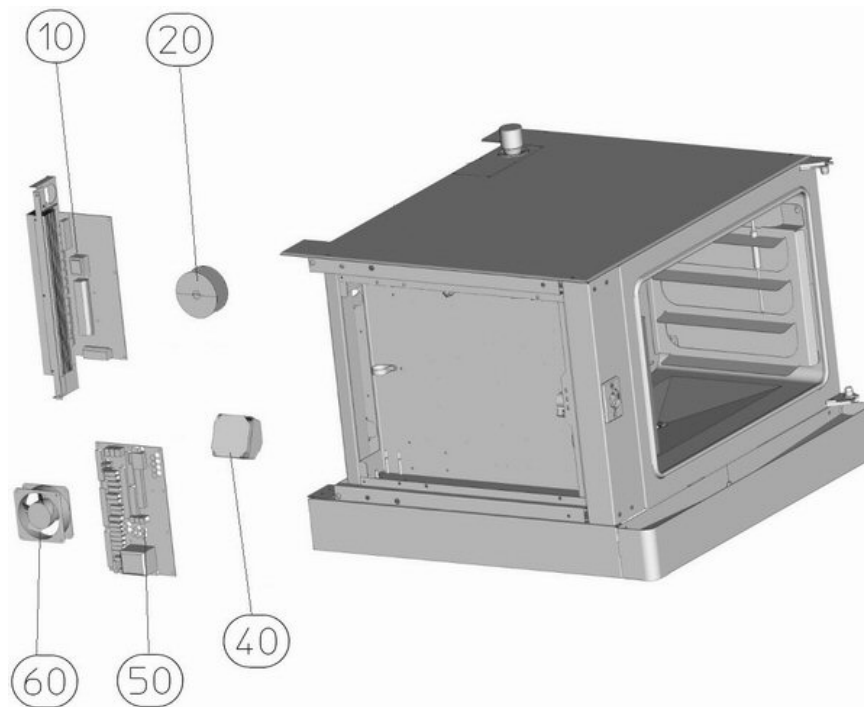
Service manual electric slide Euromat B8-E2 400V 50Hz

Version:

Ident:

Series:

Pert-Number:



Chapter

[010] - 93123 - triac setter 32A 400V (E200A)

[020] - 38726 - ring core transformer

[030] - 38400 - loudspeaker

[040] - 101106 - power board

[050] - 33906 - axial blower 15W

[070] - 33126 - relay main switch

Part: triac setter 32A 400V (E200A)

Pert-Number: 93123

When exchanging the electronic circuit board, please note that electrostatic charge and its components can cause major damage. Therefore please make sure that before coming in contact with the circuit board that the circuit board and its metal frame are completely discharged. The triac controller controls the heater and the motor. Please read the article documents before installing or removing this part."



Part: ring core transformer

Pert-Number: 38726

The ring core transformer serves as a voltage supplier for the baking chamber interior lighting. The cables must be correctly installed when installing and removing this transformer."



Part: loudspeaker

Pert-Number: 38400

The loud speaker signal serves as an acoustic signal. For example notification is given for "temperature reached". "end of program". As well as when opening the door a short gong will sound. If the gong does not work, first of all check the appliance settings. You can reach the menu point "Gong" by going to "Settings - Appliance Settings - Gong". Here you can set the volume and intervals of the sound. If the volume and interval is set to 0 no acoustic signal will be given. Test the gong, by going to the PC-Tool - Function Test. Warning! The PC-Tool- Function test is an endurance test and is not protected from overload!



Part: power board

Pert-Number: 101106

Disconnect power before beginning work. This article is fully prepared for servicing purposes. Please read the appropriate "Article Documents". When replacing the electronic circuit board, electrostatic can damage the circuit board and its components. Ensure before handling the electrical circuit board that a grounded metal frame discharges the electrostatic. The electrical circuit board is available as a service circuit board in a complete version under the Order Number 101106 and can also be used in other appliance models. On the circuit board you will find 3 fuses. F2 output L1 (4A tr); F3 output N (4A tr); F4 output transformer 24, 12, 5 V (1,5A tr). The circuit board has Eprom with each current software update and an 8 pole Dip- switch (configurations switch). Attention must be given to which switch the Dip- switch is actively switched. The various switch settings can be found in the assembly instruction.



Part: axial blower 15W

Pert-Number: 33906

The axial blower regulates the temperature in the installation room. Warm air is blown outside and cool air blown inside the room. Please note the arrow direction of the air flow when installing the axial flow fan.



Part: relay main switch

Pert-Number: 33126

If the safety temperature limit (STB) activates, the main safety switch will not switch on. Neither will it switch on when the internal fuses of the power element or the external fuses are defective. The oven will not operate. As soon as the STB is deactivated or the power supply continued, the main safety switch turns on and the power will be forwarded.



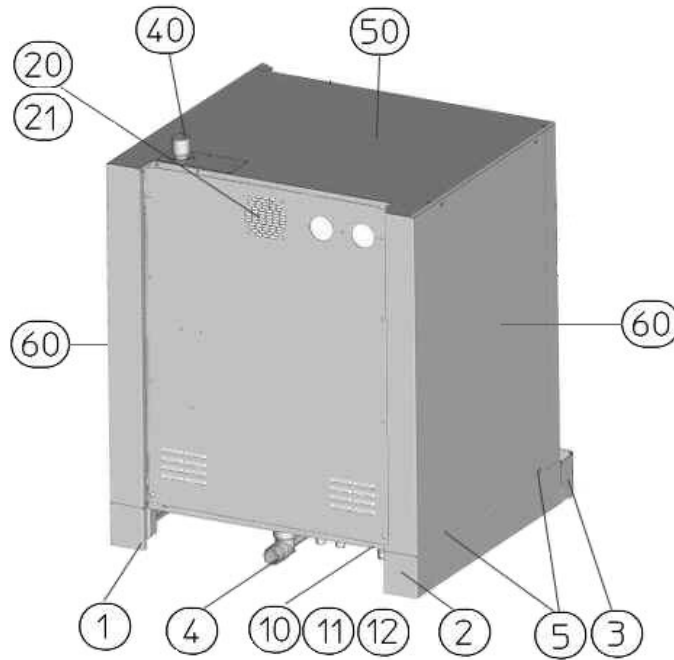
Service manual frame Euromat B8-E2 400V 50Hz

Version:

Ident:

Series:

Pert-Number:



Chapter

blocks Euromat E2 with electrical latch Euromat B8-E2 400V 50Hz - V:

blocks Euromat E2 without electrical latch Euromat B8-E2 400V 50Hz - V:

09422 - foot E2

34075 - adjustable glide black

[001] - 102544 - front covering E2 right

[002] - 102545 - front covering E2 left

[003] - 102765 - drip tray E2-IS

[003] - 9700-100-001 - drip tray E2 IS

[004] - 31067 - drain elbow

[005] - 36219 - cover cap, plug

[010] - 101726 - socket

[011] - 103815 - socket

[012] - 25014 - supply line 32A with CEE-plug

[020] - 33973 - axial fan cover

[021] - 33906 - axial blower 15W

[040] - 09307 - weight exhaust

[050] - 103570 - cover E200A (IS)

[060] - 102396 - side panel B4

Part: foot E2

Pert-Number: 09422

Part: adjustable glide black

Pert-Number: 34075

Part: front covering E2 right

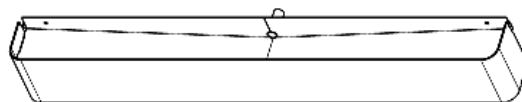
Pert-Number: 102544

Part: front covering E2 left

Pert-Number: 102545

Part: drip tray E2-IS

Pert-Number: 102765



Part: drip tray E2 IS

Pert-Number: 9700-100-001

Part: drain elbow

Pert-Number: 31067



Part: cover cap, plug

Pert-Number: 36219

Plug for holes in the side wall.



Part: socket

Pert-Number: 101726



Part: socket

Pert-Number: 103815

Electrical plug for the exhaust hood



Part: supply line 32A with CEE-plug

Pert-Number: 25014



Part: axial fan cover

Pert-Number: 33973

To avoid injury the axial fan cover must be installed correctly.



Part: axial blower 15W

Pert-Number: 33906

The axial blower regulates the temperature in the installation room. Warm air is blown outside and cool air blown inside the room. Please note the arrow direction of the air flow when installing the axial flow fan.



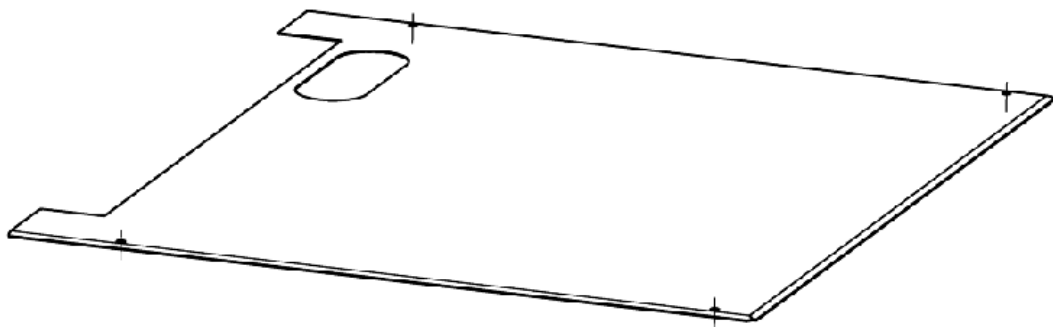
Part: weight exhaust

Pert-Number: 09307



Part: cover E200A (IS)

Pert-Number: 103570



Part: side panel B4

Pert-Number: 102396



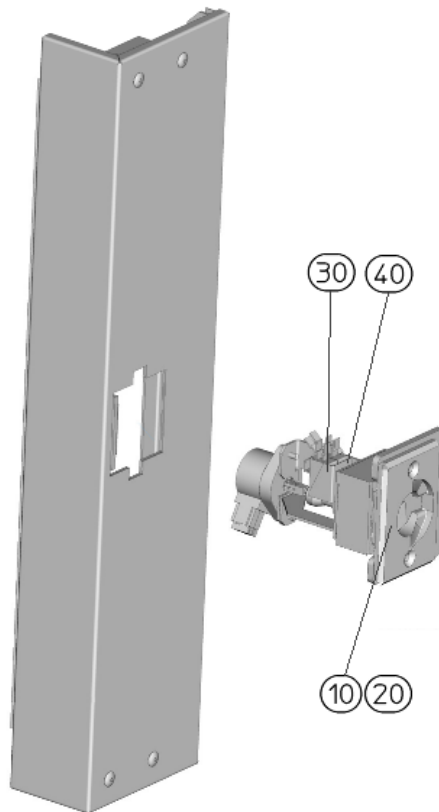
Service manual blocks Euromat E2 with electrical latch Euromat B8-E2 400V 50Hz

Version:

Ident:

Series:

Pert-Number:



Chapter

[010] - 30816 - door latch right; Attention replaced by E2500-402-010

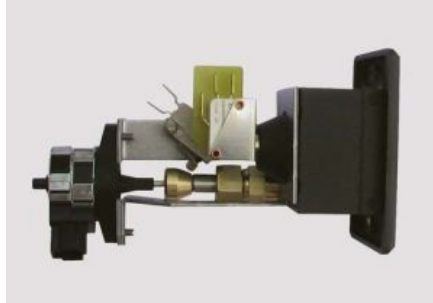
[020] - 30817 - door latch left; Attention replaced by E2500-402-011

[030] - 36000 - micro switch

[040] - 39061 - micro switch

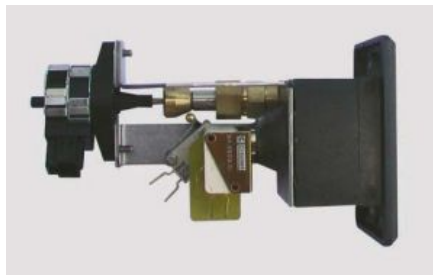
Part: door latch right; Attention replaced by E2500-402-010

Pert-Number: 30816



Part: door latch left; Attention replaced by E2500-402-011

Pert-Number: 30817



Part: micro switch

Pert-Number: 36000

Micro fuse with gold contact. The micro fuse must be closed by locked door.



Part: micro switch

Pert-Number: 39061

The micro fuse for door blocks with electrical door closures/Pro Clean switches the electrical door closure on for example the automatic self-cleaning program or door closure program is running.



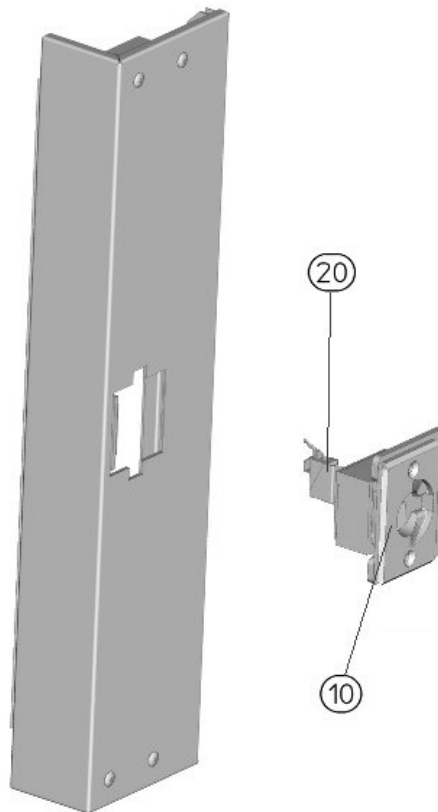
Service manual blocks Euromat E2 without electrical latch Euromat B8-E2 400V 50Hz

Version:

Ident:

Series:

Pert-Number:



Chapter

[010] - 37937 - door latch; Attention replaced by 9040-120-003

[010] - 9040-120-003 - bracket with inserted nuts PCL

[020] - 39061 - micro switch

Part: door latch; Attention replaced by 9040-120-003

Pert-Number: 37937



Part: bracket with inserted nuts PCL

Pert-Number: 9040-120-003

Door latch for furnace without electrical locking mechanism/pro Clean. The Door latch is to be used both for right and for left door stop.

Part: micro switch

Pert-Number: 39061

The micro fuse for door blocks with electrical door closures/Pro Clean switches the electrical door closure on for example the automatic self-cleaning program or door closure program is running.



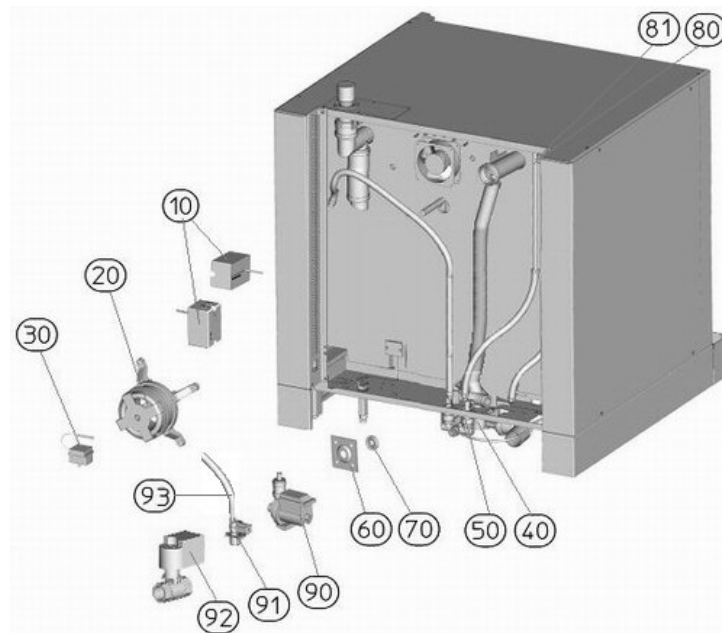
Service manual installation-room Euromat B8-E2 400V 50Hz

Version:

Ident:

Series:

Pert-Number:



Chapter

cascade piping Euromat B8-E2 400V 50Hz - V:
 cascade piping PCL Euromat B8-E2 400V 50Hz - V:
 filler neck cascade Euromat B8-E2 400V 50Hz - V:
 pipe steaming Euromat B8-E2 400V 50Hz - V:
 pipe steaming PCL Euromat B8-E2 400V 50Hz - V:

- [010] - 38816 - fan reversing switch
- [020] - 103578 - fan motor; Attention replaced by 9020-110-002
- [030] - 100627 - safety limit switch (+340°C)
- [040] - 34472 - solenoid valve
- [050] - 36126 - water flow detector flow meter FH20
- [060] - 04800 - sealing plate
- [070] - 105206 - seal motor shaft
- [081] - 34282 - angle fitting
- [090] - 100060 - pump ProClean (version 50Hz)
- [091] - 37906 - membrane switch ProClean
- [092] - 105572 - ball valve 1"
- [093] - 40074 - silicone hose

Part: fan reversing switch

Pert-Number: 38816

Air intake/output always run parallel and are self synchronizing. They are controlled from the circuit board by the running program. If the air intake/output do not run synchronized it can have a negative influence on the baking products. NOTE: When replacing the cam shaft ensure that the control unit have the processing date of 0/26 or 0/25 with the additional notation "check" or "green point" so that the units do not run asynchronous.



Part: fan motor; Attention replaced by 9020-110-002

Pert-Number: 103578



Part: safety limit switch (+340°C)

Pert-Number: 100627

The safety temperature limit switch (STB) is activated at temperatures of -5°C (and lower) and $+329^{\circ}\text{C}$ (and higher). The oven will not operate when this is activated. The STB is part of the safety chain and can be manually re-set. Warning, when the STB is activated the cause must be resolved. Insulate the capillary tube (e.g. on the circuit board) on its critical spots with silicone hose Article number 40074.



Part: solenoid valve

Pert-Number: 34472

It is necessary to clean the dirt sieve of the solenoid valve regularly. Particles in the water line will stick to the sieve and interrupt the water flow. Please note the maximum water pressure and other warnings from the data sheets regarding the water connection. The solenoid valve works with a flow pressure of 150 - 600 kPa. You can test the solenoid valve function in the PC - Tool - Test. Attention the test is a continued test and this function is not protected from overload.



Part: water flow detector flow meter FH20

Pert-Number: 36126

The flow meter measures the water flow amount. When installing, pay attention to the polarity +/- of the impulse meter (Hall sensor).



Part: sealing plate

Pert-Number: 04800

The sealing plate secures the motor shaft. Pull the motor first when installing and the sealing plate at the end.



Part: seal motor shaft

Pert-Number: 105206

replaced by 34047



Part: angle fitting

Pert-Number: 34282



Part: pump ProClean (version 50Hz)

Pert-Number: 100060

The ProClean pump is a circulating pump. The pump extracts and transports the cleaning water. The operation can be controlled by the power element, operating control and software. A ProClean pump function test can be done in PC-Tool-Test. Warning! The PC Tool Function test is an endurance test and is not protected against overload!



Part: membrane switch ProClean

Pert-Number: 37906

The switch ProClean serves as a filling amount safety control. If the solenoid valve is over filled then the automatic self cleaning will not function. The pressure switch activates at 16mbar. The activation of the motor, heater and solenoid valve will be interrupted.



Part: ball valve 1"

Pert-Number: 105572



Part: silicone hose

Pert-Number: 40074



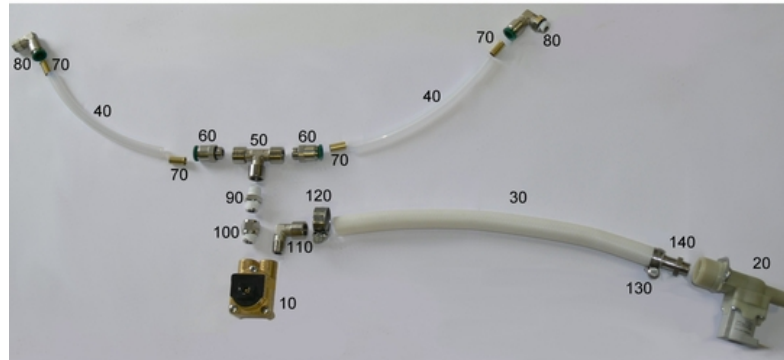
Service manual cascade piping Euromat B8-E2 400V 50Hz

Version:

Ident:

Series:

Pert-Number:



Chapter

- [010] - 36126 - water flow detector flow meter FH20
- [020] - 34472 - solenoid valve
- [030] - 33524 - HT - hose silicone D 18xS3 LW12
- [040] - 40485 - teflon hose
- [050] - 33361 - T-Fitting MS.R1/4 round DE
- [060] - 38058 - quick plug connector_1/4" straight
- [070] - 38160 - supporting bushing
- [080] - 38703 - angle plug connection swingable
- [090] - 33377 - double nipple Ms
- [100] - 34574 - nipple reducer G 1/4"
- [110] - 33350 - brass angle
- [120] - 42237 - hose clamp 12-22/13A2
- [130] - 34566 - hose clamp 8-16 DIN 3017
- [140] - 33358 - hose connection G1/4"

Part: water flow detector flow meter FH20

Pert-Number: 36126

The flow meter measures the water flow amount. When installing, pay attention to the polarity +/- of the impulse meter (Hall sensor).



Part: solenoid valve

Pert-Number: 34472

It is necessary to clean the dirt sieve of the solenoid valve regularly. Particles in the water line will stick to the sieve and interrupt the water flow. Please note the maximum water pressure and other warnings from the data sheets regarding the water connection. The solenoid valve works with a flow pressure of 150 - 600 kPa. You can test the solenoid valve function in the PC - Tool - Test. Attention the test is a continued test and this function is not protected from overload.



Part: HT - hose silicone D 18xS3 LW12

Pert-Number: 33524



Part: teflon hose

Pert-Number: 40485



Part: T-Fitting MS.R1/4 round DE

Pert-Number: 33361



Part: quick plug connector_1/4" straight

Pert-Number: 38058



Part: supporting bushing

Pert-Number: 38160



Part: angle plug connection swingable

Pert-Number: 38703



Part: double nipple Ms

Pert-Number: 33377



Part: nipple reducer G 1/4"

Pert-Number: 34574



Part: brass angle

Pert-Number: 33350



Part: hose clamp 12-22/13A2

Pert-Number: 42237



Part: hose clamp 8-16 DIN 3017

Pert-Number: 34566



Part: hose connection G1/4"

Pert-Number: 33358



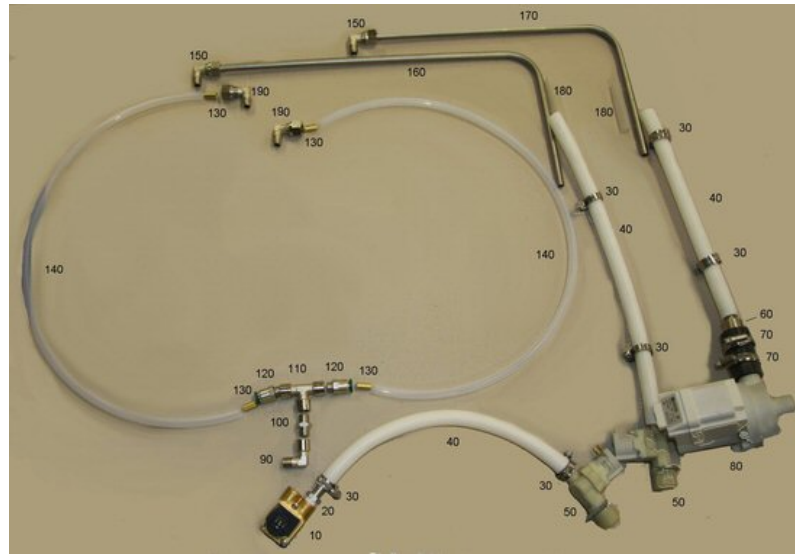
Service manual cascade piping PCL Euromat B8-E2 400V 50Hz

Version:

Ident:

Series:

Pert-Number:



Chapter

- [010] - 36126 - water flow detector flow meter FH20
- [020] - 33358 - hose connection G1/4"
- [030] - 34566 - hose clamp 8-16 DIN 3017
- [040] - 33524 - HT - hose silicone D 18xS3 LW12
- [050] - 34472 - solenoid valve
- [060] - 100208 - reduction double nipple
- [070] - 42237 - hose clamp 12-22/13A2
- [080] - 100060 - pump ProClean (version 50Hz)
- [090] - 33350 - brass angle
- [100] - 33377 - double nipple Ms
- [110] - 33361 - T-Fitting MS.R1/4 round DE
- [120] - 38058 - quick plug connector_1/4" straight
- [130] - 38160 - supporting bushing
- [140] - 40485 - teflon hose
- [150] - 34282 - angle fitting
- [160] - 09452 - pipe for injector
- [170] - 100835 - connection pipe
- [180] - 36037 - silicone hose transparent
- [190] - 38703 - angle plug connection swingable

Part: water flow detector flow meter FH20

Pert-Number: 36126

The flow meter measures the water flow amount. When installing, pay attention to the polarity +/- of the impulse meter (Hall sensor).



Part: hose connection G1/4"

Pert-Number: 33358



Part: hose clamp 8-16 DIN 3017

Pert-Number: 34566



Part: HT - hose silicone D 18xS3 LW12

Pert-Number: 33524



Part: solenoid valve

Pert-Number: 34472

It is necessary to clean the dirt sieve of the solenoid valve regularly. Particles in the water line will stick to the sieve and interrupt the water flow. Please note the maximum water pressure and other warnings from the data sheets regarding the water connection. The solenoid valve works with a flow pressure of 150 - 600 kPa. You can test the solenoid valve function in the PC - Tool - Test. Attention the test is a continued test and this function is not protected from overload.



Part: reduction double nipple

Pert-Number: 100208



Part: hose clamp 12-22/13A2

Pert-Number: 42237



Part: pump ProClean (version 50Hz)

Pert-Number: 100060

The ProClean pump is a circulating pump. The pump extracts and transports the cleaning water. The operation can be controlled by the power element, operating control and software. A ProClean pump function test can be done in PC-Tool-Test. Warning! The PC Tool Function test is an endurance test and is not protected against overload!



Part: brass angle

Pert-Number: 33350



Part: double nipple Ms

Pert-Number: 33377



Part: T-Fitting MS.R1/4 round DE

Pert-Number: 33361



Part: quick plug connector_1/4" straight

Pert-Number: 38058



Part: supporting bushing

Pert-Number: 38160



Part: teflon hose

Pert-Number: 40485



Part: angle fitting

Pert-Number: 34282



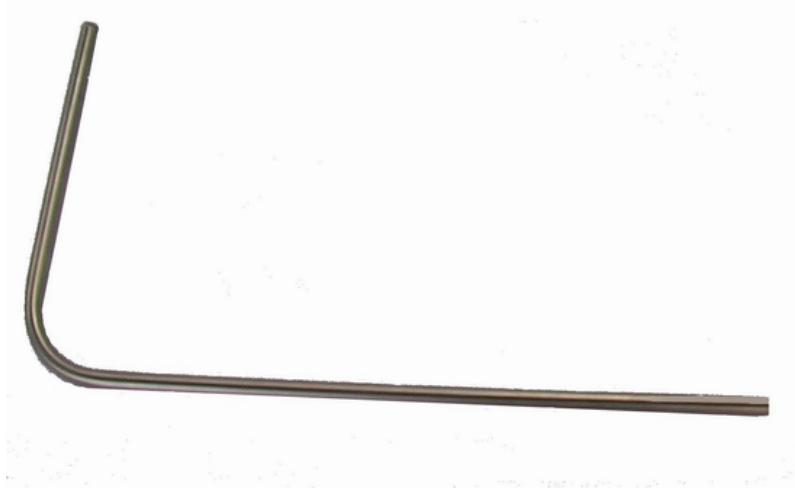
Part: pipe for injector

Pert-Number: 09452



Part: connection pipe

Pert-Number: 100835



Part: silicone hose transparent

Pert-Number: 36037



Part: angle plug connection swingable

Pert-Number: 38703



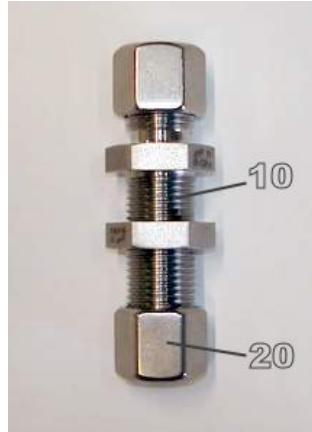
Service manual filler neck cascade Euromat B8-E2 400V 50Hz

Version:

Ident:

Series:

Pert-Number:



Chapter

33875 - bulkhead screwing straight

34454 - fitting

Part: bulkhead screwing straight

Pert-Number: 33875

The bulkhead screwing is complete with a brass seal. Should a part be defective the complete fitting must be exchanged so that the seal can be guaranteed.



Part: fitting

Pert-Number: 34454



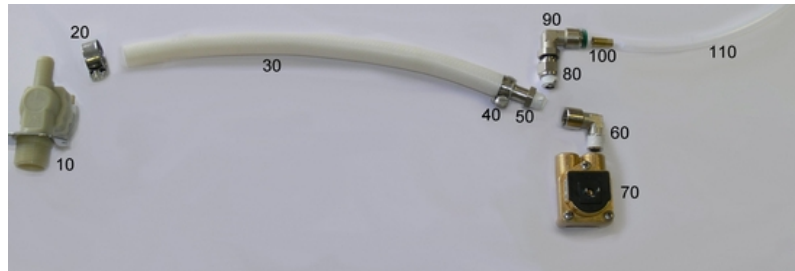
Service manual pipe steaming Euromat B8-E2 400V 50Hz

Version:

Ident:

Series:

Pert-Number:



Chapter

- [010] - 34472 - solenoid valve
- [020] - 42237 - hose clamp 12-22/13A2
- [030] - 33524 - HT - hose silicone D 18xS3 LW12
- [040] - 34566 - hose clamp 8-16 DIN 3017
- [050] - 33358 - hose connection G1/4"
- [060] - 33350 - brass angle
- [070] - 36126 - water flow detector flow meter FH20
- [080] - 34574 - nipple reducer G 1/4"
- [090] - 38703 - angle plug connection swingable
- [100] - 38160 - supporting bushing
- [110] - 40485 - teflon hose

Part: solenoid valve

Pert-Number: 34472

It is necessary to clean the dirt sieve of the solenoid valve regularly. Particles in the water line will stick to the sieve and interrupt the water flow. Please note the maximum water pressure and other warnings from the data sheets regarding the water connection. The solenoid valve works with a flow pressure of 150 - 600 kPa. You can test the solenoid valve function in the PC - Tool - Test. Attention the test is a continued test and this function is not protected from overload.



Part: hose clamp 12-22/13A2

Pert-Number: 42237



Part: HT - hose silicone D 18xS3 LW12

Pert-Number: 33524



Part: hose clamp 8-16 DIN 3017

Pert-Number: 34566



Part: hose connection G1/4"

Pert-Number: 33358



Part: brass angle

Pert-Number: 33350



Part: water flow detector flow meter FH20

Pert-Number: 36126

The flow meter measures the water flow amount. When installing, pay attention to the polarity +/- of the impulse meter (Hall sensor).



Part: nipple reducer G 1/4"

Pert-Number: 34574



Part: angle plug connection swingable

Pert-Number: 38703



Part: supporting bushing

Pert-Number: 38160



Part: teflon hose

Pert-Number: 40485



Service manual pipe steaming PCL Euromat B8-E2 400V 50Hz

Version:

Ident:

Series:

Pert-Number:

Chapter

- [010] - 36126 - water flow detector flow meter FH20
- [020] - 33358 - hose connection G1/4"
- [030] - 33524 - HT - hose silicone D 18xS3 LW12
- [040] - 34472 - solenoid valve
- [050] - 34566 - hose clamp 8-16 DIN 3017
- [060] - 100060 - pump ProClean (version 50Hz)
- [070] - 42237 - hose clamp 12-22/13A2
- [080] - 34574 - nipple reducer G 1/4"
- [090] - 38703 - angle plug connection swingable
- [100] - 38160 - supporting bushing
- [110] - 40485 - teflon hose
- [130] - 09452 - pipe for injector
- [140] - 34282 - angle fitting
- [150] - 100835 - connection pipe
- [170] - 33361 - T-Fitting MS.R1/4 round DE
- [180] - 100208 - reduction double nipple
- [190] - 36037 - silicone hose transparent

Part: water flow detector flow meter FH20

Pert-Number: 36126

The flow meter measures the water flow amount. When installing, pay attention to the polarity +/- of the impulse meter (Hall sensor).



Part: hose connection G1/4"

Pert-Number: 33358



Part: HT - hose silicone D 18xS3 LW12

Pert-Number: 33524



Part: solenoid valve

Pert-Number: 34472

It is necessary to clean the dirt sieve of the solenoid valve regularly. Particles in the water line will stick to the sieve and interrupt the water flow. Please note the maximum water pressure and other warnings from the data sheets regarding the water connection. The solenoid valve works with a flow pressure of 150 - 600 kPa. You can test the solenoid valve function in the PC - Tool - Test. Attention the test is a continued test and this function is not protected from overload.



Part: hose clamp 8-16 DIN 3017

Pert-Number: 34566



Part: pump ProClean (version 50Hz)

Pert-Number: 100060

The ProClean pump is a circulating pump. The pump extracts and transports the cleaning water. The operation can be controlled by the power element, operating control and software. A ProClean pump function test can be done in PC-Tool-Test. Warning! The PC Tool Function test is an endurance test and is not protected against overload!



Part: hose clamp 12-22/13A2

Pert-Number: 42237



Part: nipple reducer G 1/4"

Pert-Number: 34574



Part: angle plug connection swingable

Pert-Number: 38703



Part: supporting bushing

Pert-Number: 38160



Part: teflon hose

Pert-Number: 40485



Part: pipe for injector

Pert-Number: 09452



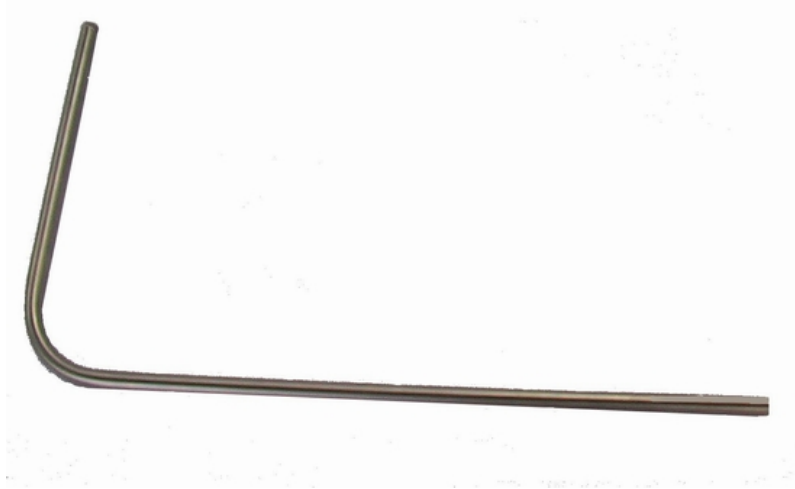
Part: angle fitting

Pert-Number: 34282



Part: connection pipe

Pert-Number: 100835



Part: T-Fitting MS.R1/4 round DE

Pert-Number: 33361



Part: reduction double nipple

Pert-Number: 100208



Part: silicone hose transparent

Pert-Number: 36037



Service manual operating unit IS 600 Euromat B8-E2 400V 50Hz

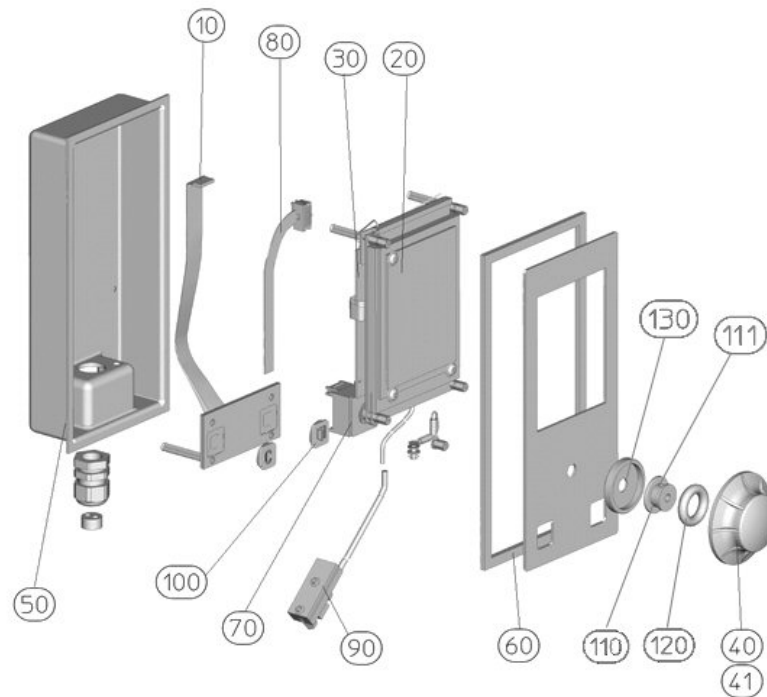
Version:

Ident:

Series:

Pert-Number: 102623

This part can be ordered.



Chapter

- [010] - 101563 - key block
- [020] - 100617 - display IS600 with circuit board
- [030] - 101107 - electronic circuit board IS600
- [040] - 102685 - knob grey
- [041] - 101350 - knob silver
- [050] - 102450 - frame IS
- [060] - 102449 - seal for frame IS
- [070] - 100591 - incremental encoder
- [080] - 104354 - ribbon cable for IS600
- [090] - 102806 - USB port with data wire
- [100] - 105849 - key "C / door"
- [110] - 101434 - adapter_D54x22
- [111] - 101894 - grub screw
- [120] - 101435 - O-ring_D16x7_NBR60
- [130] - 100593 - pane display

Part: key block

Pert-Number: 101563

Ensure that the all contact to the connector is clean and free of grease. Its function can be tested with the Wiesheu PC-Tool/Test/Navigate.



Part: display IS600 with circuit board

Pert-Number: 100617

Ensure that the all contact to the connector is clean and free of grease. Adjust the contrast of the screen to the surrounding area. Set the contrast by going to "Settings" - "Appliance Settings" - "Display" - "Contrast".



Part: electronic circuit board IS600

Pert-Number: 101107

When exchanging the electronic circuit board, please note that electrostatic charge and its components can cause major damage. Therefore, please make sure that before coming in contact with the circuit board that the circuit board and its metal frame are completely discharged. Check the DIP - switch setting and the input resistance as in the enclosed document. If interference occurs when transferring data from the PC to the Control (dark display), use a flash cable and the programs flash writer to re-write the program. Read the instructions about part documents.



Part: knob grey

Pert-Number: 102685

Depending on the version, the button "silver" or "grey" is used.



Part: knob silver

Pert-Number: 101350

Depending on the version, the button "silver" or "grey" is used.



Part: frame IS

Pert-Number: 102450

Check that all securing screws are present on the frame. In addition check the grounding to frame connection



Part: seal for frame IS

Pert-Number: 102449

The seal must be correctly installed to avoid moisture admittance.



Part: incremental encoder

Pert-Number: 100591

Check the incremental sensor using the function test in PC-Tool. To recall function test read the documents to the article.



Part: ribbon cable for IS600

Pert-Number: 104354

The ribbon cable connects the circuit board IS 600 and the display. The ribbon cable has a plug on both sides. Ensure that the ribbon cable does not twist or kink.



Part: USB port with data wire

Pert-Number: 102806

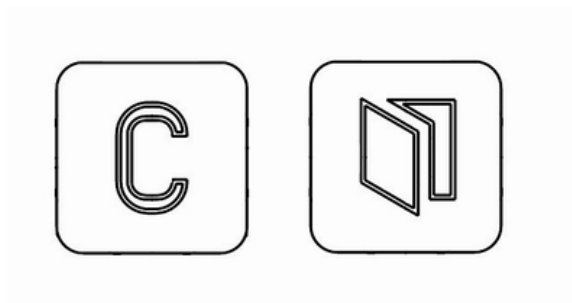
USB interface with USB connection "B". Data interface to PC.



Part: key "C / door"

Pert-Number: 105849

The keys "C/door" are to be acquired seperately.



Part: adapter_D54x22

Pert-Number: 101434



Part: grub screw

Pert-Number: 101894



Part: O-ring_D16x7_NBR60

Pert-Number: 101435



Part: pane display

Pert-Number: 100593

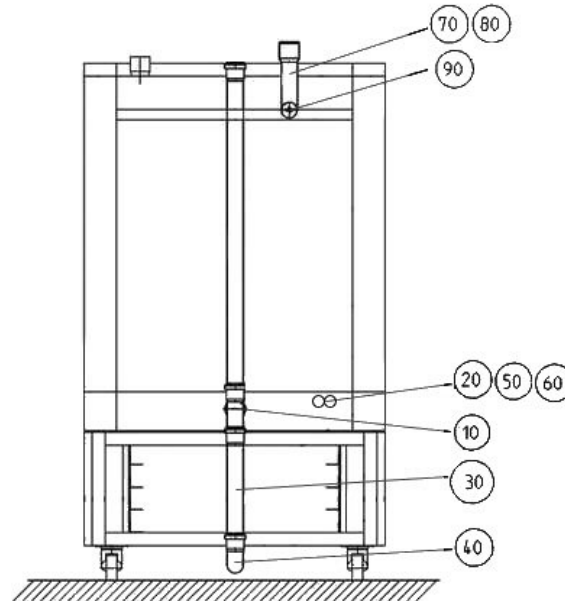
Servicemanual piping ProClean (option ProClean) Euromat B8-E2 400V 50Hz

Version:

Ident:

Series:

Pert-Number:



Chapter

- [010] - 37836 - HT - branch DN 50x50x87°
- [020] - 0150-001-023 - Y-piece 3/4"
- [030] - 37837 - HT - pipe DN 500x1000
- [040] - 37838 - HT - sheet DN 50x87°
- [050] - 104476 - hose 3/4"
- [060] - 33539 - dirt sieve
- [070] - 31064 - exhaust elbow_DN50xD12x90°_A2
- [080] - 31058 - exhaust elbow_DN50x235x94°_A2
- [090] - 33970 - exhaust air duct gasket DN 50 to 26632

Part: HT - branch DN 50x50x87°

Pert-Number: 37836



Part: Y-piece 3/4"

Pert-Number: 0150-001-023



Part: HT - pipe DN 500x1000

Pert-Number: 37837



Part: HT - sheet DN 50x87°

Pert-Number: 37838



Part: hose 3/4"

Pert-Number: 104476

Water supply hose 3/4". Inform your customer that the water supply should only be open when the oven is in use. In this manner you can avoid damage.



Part: dirt sieve

Pert-Number: 33539

Dirt sieve for filtering large particles. Inform your customer to regularly clean the sieve, ensuring a clear water supply.



Part: exhaust elbow_DN50xD12x90°_A2

Pert-Number: 31064

Pro Clean tubing kit. Exhaust angle for connection on ovens without exhaust hood.



Part: exhaust elbow_DN50x235x94°_A2

Pert-Number: 31058

Pro Clean tubing kit. Exhaust angle for connection on ovens with exhaust hood.



Part: exhaust air duct gasket DN 50 to 26632

Pert-Number: 33970

The exhaust air must always exit upwards. Make sure that no steam reaches the electrical slide. The seal must be exchanged when discoloration or cracks occur.



Copyright:

WIESHEU GmbH retains the copyright for this service manual.
This service manual is solely intended for authorised service partners and their personnel.
It contains instructions and information which may not be copied, distributed or otherwise imparted as a whole or in part.

All representations, drawings, images, texts and details are protected by copyright.
They are subject to industrial property rights.

About this service manual:

All figures in this document have the purpose of aiding comprehension. The figures are not to scale. In some cases the figures are similar to the original product and may differ slightly.

Important!

Prevent malfunctions or damage caused by wrong spare parts.
We recommend the sole use of WIESHEU original spare parts.

Wiesheu GmbH
Daimlerstraße 10
DE-71563 Affalterbach
Phone: +49 (0)7144 / 3 03-0
Fax: +49 (0)7144 / 3 03-11
Email: info@wiesheu.de
www.wiesheu.de

Rev.: 10/10/2011